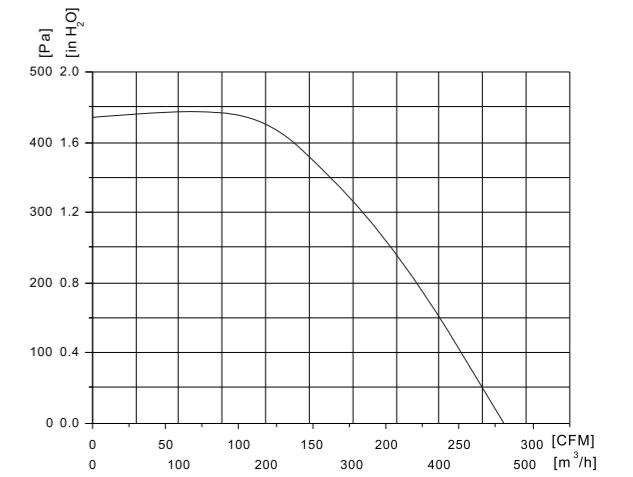




**EC Centrifugal Blower Forward Curved Single Inlet  $\phi 140-58$**

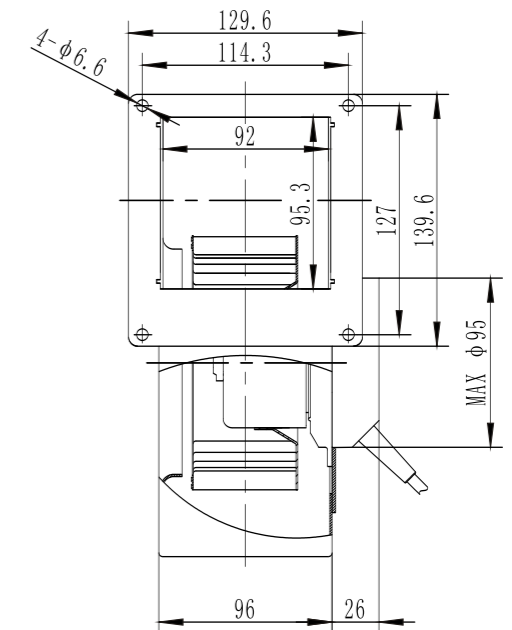
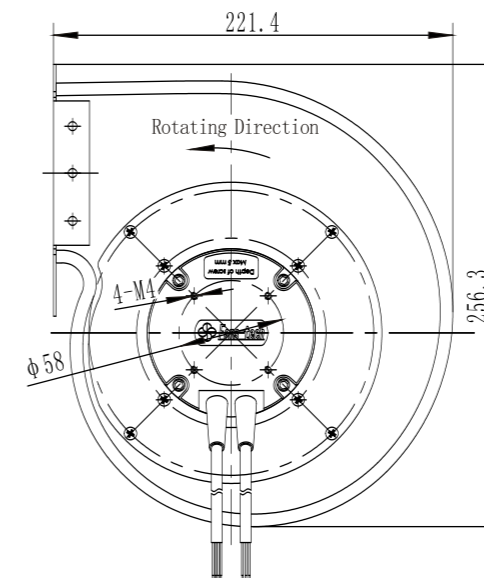
EC Series



- **Material:** Scroll housing and impeller made of galvanized sheet steel
- **Type of protection:** IP42
- **Bearing:** Ball bearings
- **Direction of rotation:** Anticlockwise, see on the leads
- **Approvals:** CCC, CE
- **Amb.Temp:** -20~+60°C

- **Technical features:** Control input 0~10VDC/PWM, Tach output
- **Protection:** Locked-rotor protection, Current limited, Under-voltage and over-voltage lockout protection, Soft start
- **Motor Insulation Class:** F

Type	Motor	Voltage (VAC)	Frequency (Hz)	Airflow (m³/h)	Airflow (CFM)	Speed (rpm)	Power (W)	Current (A)	Noise Lp:dB(A)
SH140E2-AGT-01	DM055E2-AGT-01	1~230	50/60	470	278	1700	75	0.6	63



**What is EC?**

Variable speed control of EC fan can be realized/achieved via 0-10V speed adjustment and/or external circuit impulse modulation.

Constant torque, constant speed and constant airflow of EC fan can be fulfilled via 180° sine SVPWM(Space Vector PWM) to meet customer needs.

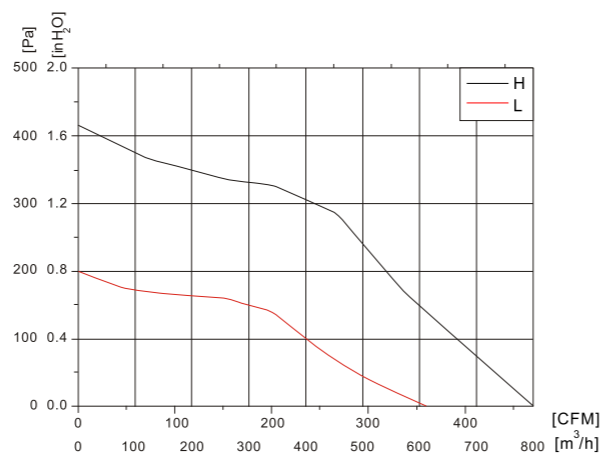
Intelligent EC fan can support users to realize centralized operation control by 485 bus and monitor as many as 255 fans.

EC fan has comprehensive protection function, such as phase failure, overvoltage, undervoltage, locked-rotor, over current and temperature protection.



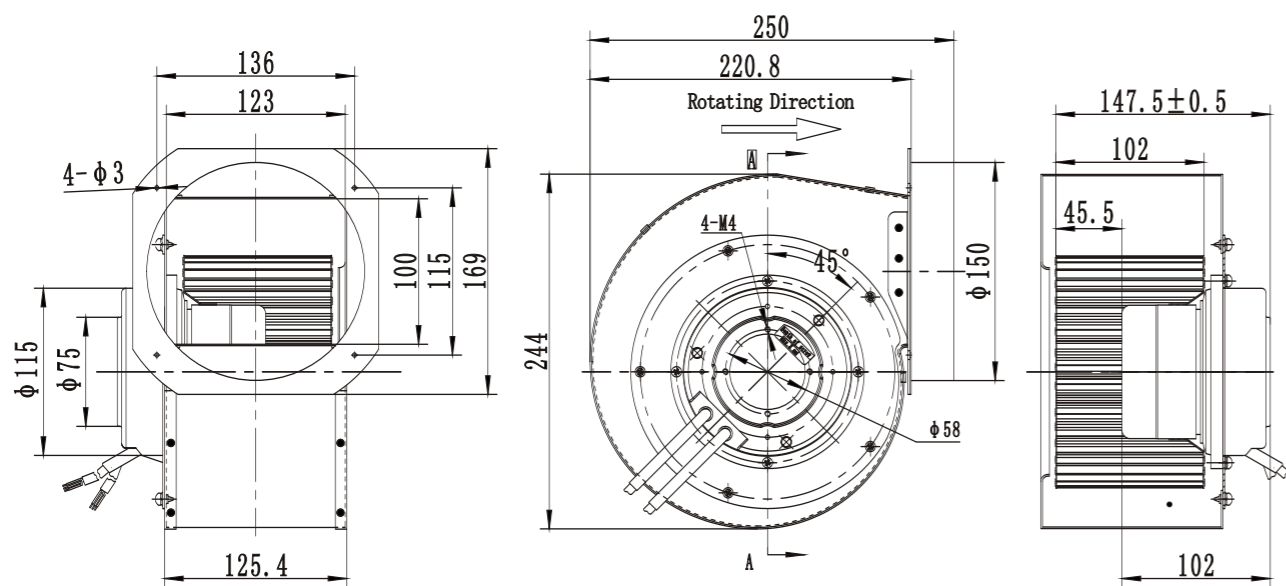
**EC Centrifugal Blower Forward Curved Single Inlet  $\phi 160-102$**

EC Series



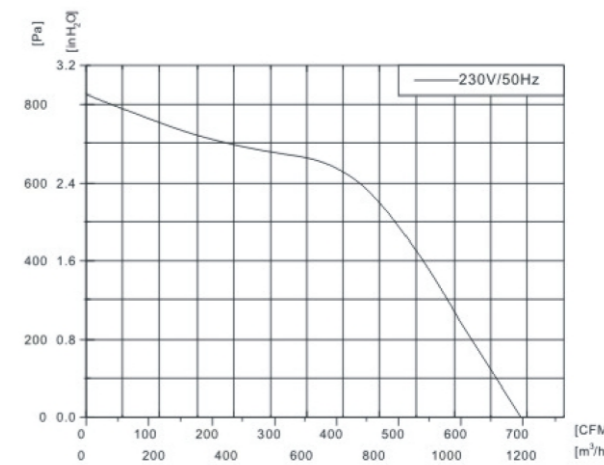
- **Material:** Scroll housing and impeller made of galvanized sheet steel
- **Motor insulation class:** F
- **Direction of rotation:** Clockwise, see on the leads
- **Approvals:** CE, CCC
- **Amb.Temp:** -25~+60°C
- **Technical features:** Control input 0~10VDC/PWM
- **Type of protection:** IP44
- **Bearing:** Ball bearings
- **Protection:** Tach output, locked-rotor protection  
Current limited, soft start

Type	Motor	Voltage (VAC)	Frequency (Hz)	Speed	Airflow (m³/h)	Airflow (CFM)	Speed (rpm)	Power (W)	Current (A)	Noise Lp:dB(A)
SH160E3-AF6-00	DM075E3-AF6-00	1~220	60	H	800	471	1740	160	1.25	66
				L	600	353	1280	67	0.55	61



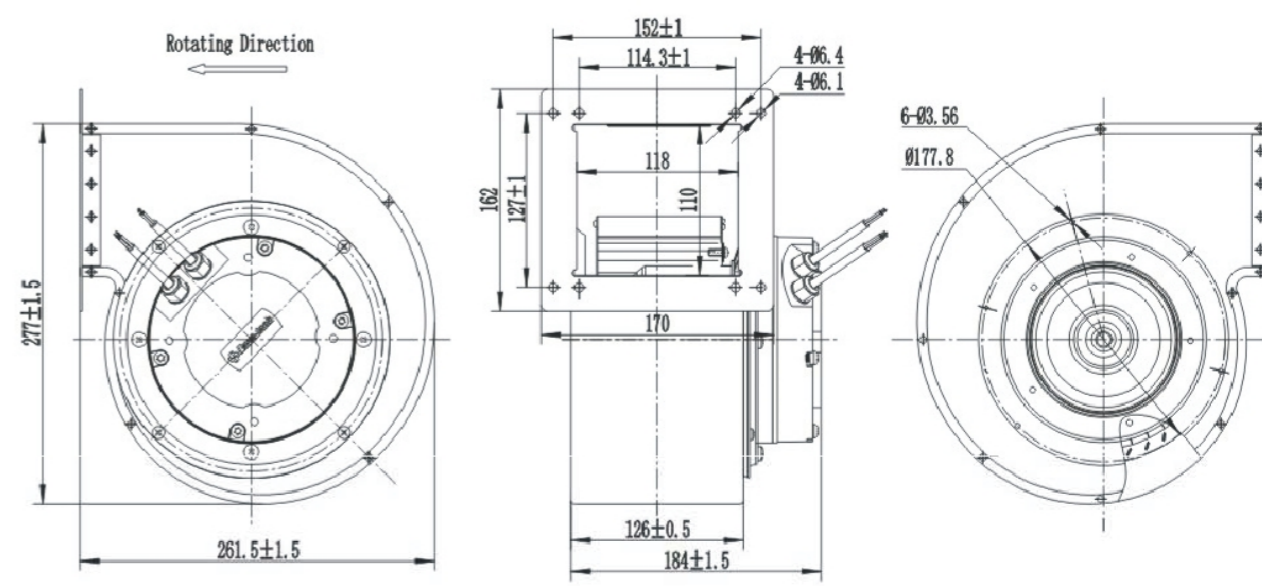
**EC Centrifugal Blower Forward Curved Single Inlet  $\phi 180-90$**

EC Series



- **Material:** Scroll housing and impeller made of galvanized sheet steel
- **Type of protection:** IP44
- **Bearing:** Ball bearings
- **Operation mode:** S1
- **Protection:** Thermal Overload Protector(TOP)wired internally
- **Motor insulation class:** F
- **Direction of rotation:** Anticlockwise, see on the leads
- **Approvals:** CE
- **Amb.Temp:** -25~+60°C

Type	Motor	Voltage (VAC)	Frequency (Hz)	Airflow (m³/h)	Airflow (CFM)	Speed (rpm)	Power (W)	Current (A)	Noise Lp:dB(A)
SH180E5-AGT-00	DM088E5-AGT-09	1~230	50/60	1150	677	2350	450	2.8	78





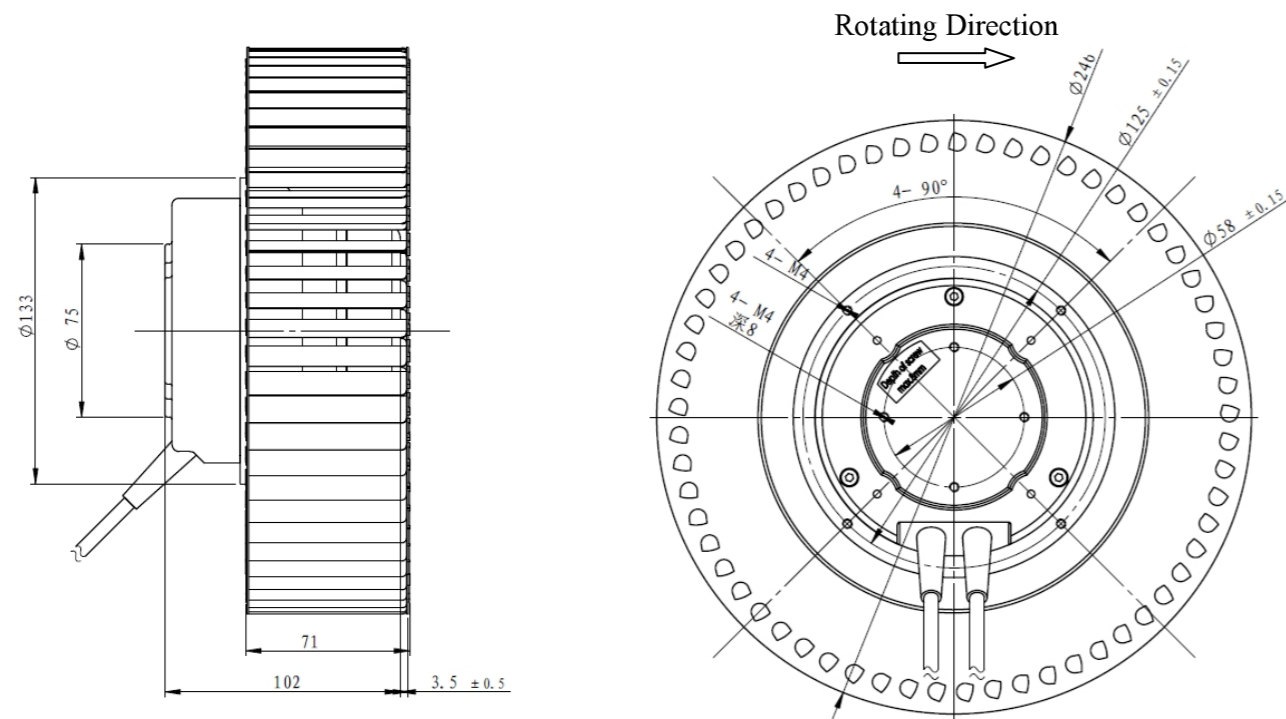
### EC Centrifugal Blower Forward Curved Single Inlet $\phi 246-71$

EC Series



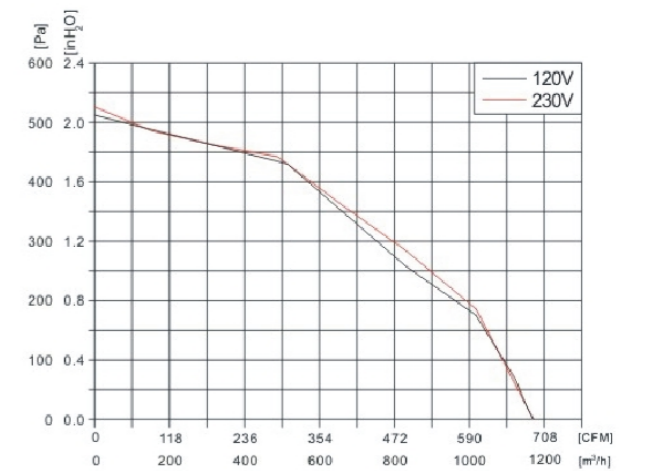
- **Material:** Impeller made of SPCC
- **Type of protection:** IP44
- **Technical features:** Control input 0~10VDC/PWM, Tach output
- **Bearing:** Ball bearings
- **Operation mode:** S1
- **Protection:** Thermal Overload Protector (TOP) wired internally
- **Motor insulation class:** F
- **Direction of rotation:** Clockwise, see on the leads
- **Approvals:** CE, CCC
- **Amb.Temp:** -25~+60°C

Type	Motor	Voltage (VAC)	Frequency (Hz)	Airflow (m <sup>3</sup> /h)	Airflow (CFM)	Speed (rpm)	Power (W)	Current (A)	Noise Lp:dB(A)	Capacitor ( $\mu$ F/V)
SC246E5-AF5-00	DM075E5-AF5-00	220	50	/	/	1000	60	0.5	/	/



### EC Centrifugal Blower Forward Curved Dual Inlet $\phi 146-180$

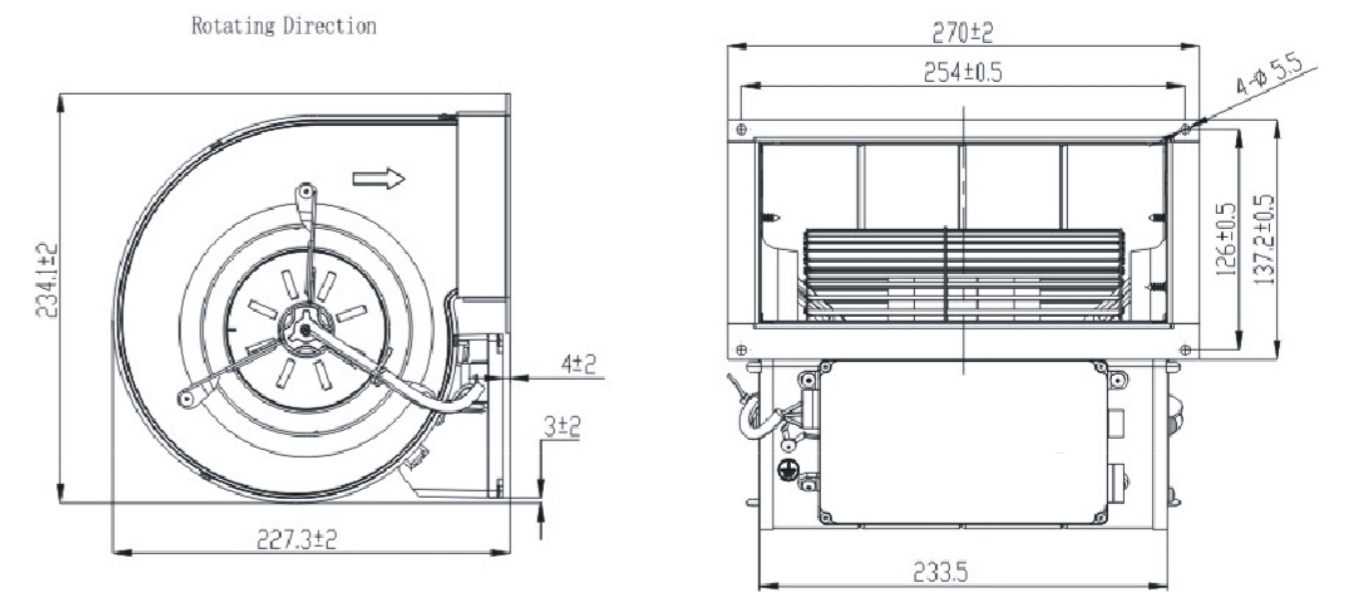
EC Series



- **Material:** Scroll housing and impeller made of galvanized sheet steel
- **Type of protection:** IP20
- **Technical features:** Control input 0~10VDC/PWM, Tach output
- **Bearing:** Ball bearings
- **Operation Mode:** S1

- **Protection:** Thermal Overload Protector (TOP) wired internally
- **Motor insulation class:** F
- **Direction of rotation:** Clockwise, see on the leads
- **Approvals:** CE, CCC
- **Amb.Temp:** -25~+60°C

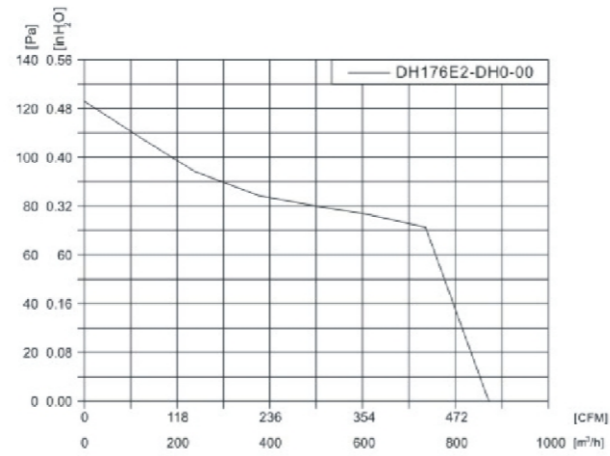
Type	Motor	Voltage (VAC)	Airflow (m <sup>3</sup> /h)	Airflow (CFM)	Speed (rpm)	Power (W)	Current (A)	Noise Lp:dB(A)
DH146E5-ADT-00	DM075E5-ADT-00	1~120	1160	683	1400	145	1.6	67
DH146E5-AGT-00	DM075E5-AGT-10	230	1160	683	1450	135	0.9	67





**EC Centrifugal Blower Forward Curved Dual Inlet  $\phi 176-200$**

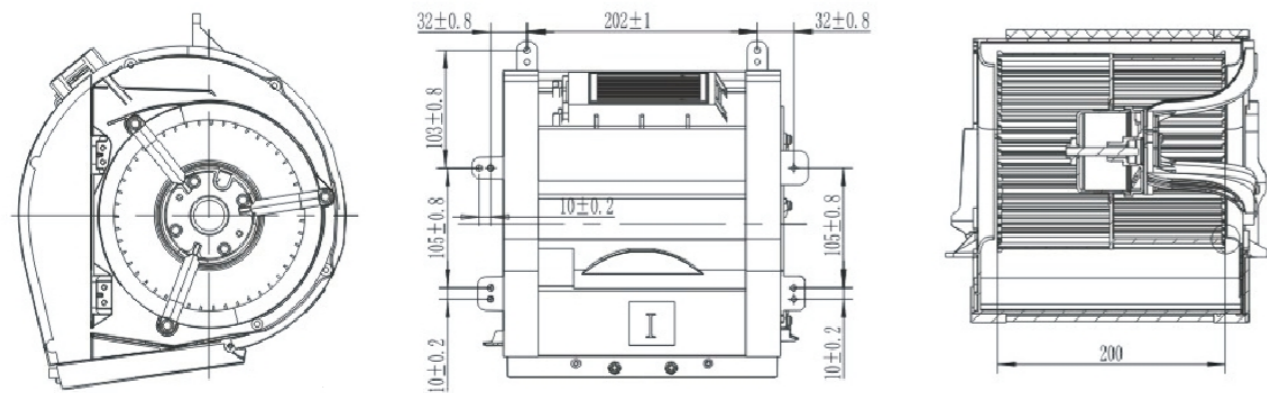
EC Series



- **Material:** Impeller made of ABS
- **Type of protection:** IP22
- **Technical features:** Control input 0~10VDC/PWM, Tach output
- **Bearing:** Ball bearings
- **Operation Mode:** S1

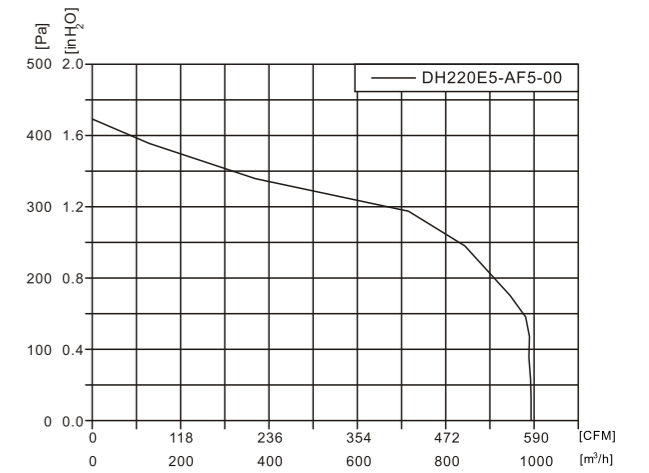
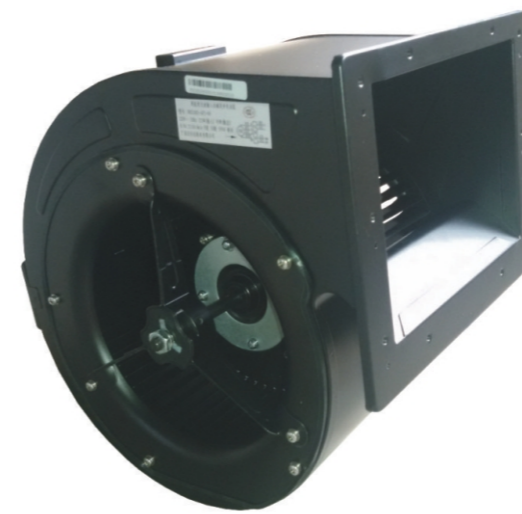
- **Protection:** Thermal Overload Protector (TOP) wired internally
- **Motor insulation class:** B
- **Direction of rotation:** Clockwise, see on the leads
- **Approvals:** CE, CCC
- **Amb.Temp:** -25~+60°C

Type	Motor	Voltage (VDC)	Frequency (Hz)	Airflow (m³/h)	Airflow (CFM)	Speed (rpm)	Power (W)	Current (A)	Noise Lp:dB(A)	Capacitor (µF/V)
DH176E2-DH0-00	DM055E2-DH0-00	310	/	868	511	675	61	0.2	54	/



**EC Centrifugal Blower Forward Curved Dual Inlet  $\phi 220-180$**

EC Series



- **Material:** Scroll housing and impeller made of galvanized sheet steel
- **Type of protection:** IP44
- **Bearing:** Ball bearings
- **Operation Mode:** S1
- **Motor insulation class:** F

- **Protection:** Thermal Overload Protector (TOP) wired internally
- **Direction of rotation:** Clockwise, see on the leads
- **Approvals:** CE, CCC
- **Amb.Temp:** -25~+60°C

Type	Motor	Voltage (VAC)	Frequency (Hz)	Airflow (m³/h)	Airflow (CFM)	Speed (rpm)	Power (W)	Current (A)	Noise Lp:dB(A)	Capacitor (µF/V)
DH220E5-AF5-00	DM075E5-AF5-01	220	50	960	566	1110	125	0.9	57	/

